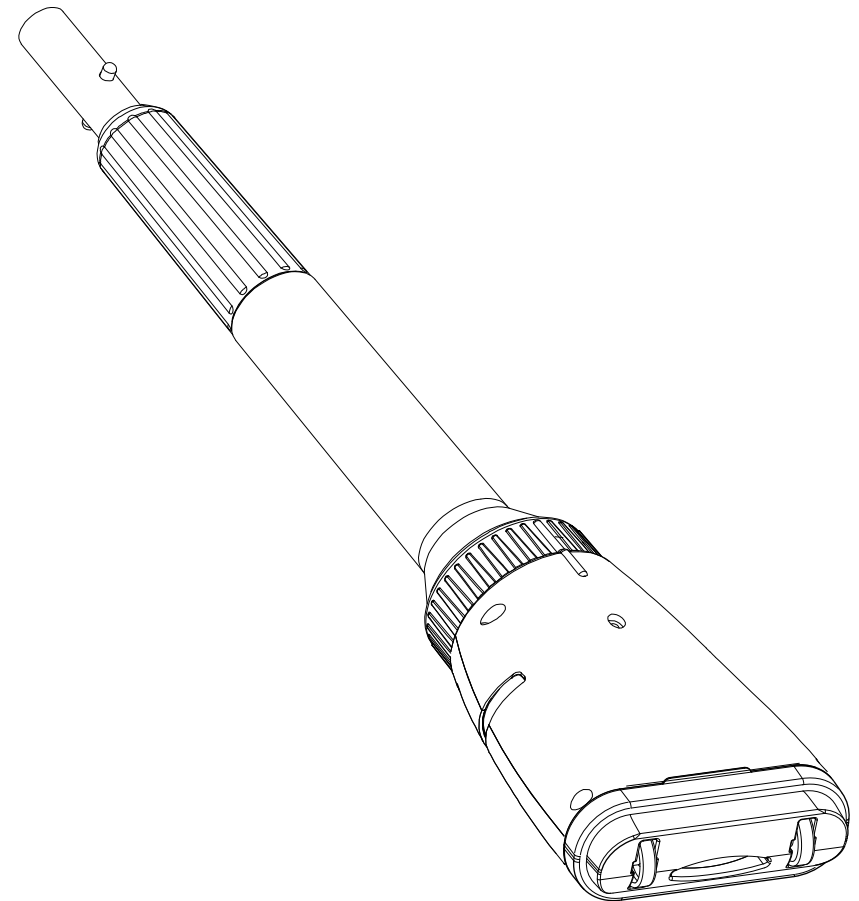




POOL/SPA CLEANER™
USE AND CARE MANUAL



Water Tech, LLC
44 West Ferris St.
East Brunswick NJ 08816
USA

Toll Free: (800) 298-8800

info@WaterTechCorp.com
www.WaterTechCorp.com

IMPORTANT:
DO NOT RETURN THIS PRODUCT TO THE STORE

Should you have any problems or questions concerning your product you should contact Water Tech's Customer Service division toll free at 1-800-298-8800 or visit www.poolblaster.com.

WARRANTY

Water Tech warrants this product for one year against any defects in material or workmanship under normal use and service, subject to conditions and limitations as described below.

Parts not covered under warranty: the filter bag and head cover are not warranted parts as these items require replacement in the normal course of use, due to normal wear.

This warranty covers only normal use for a residential swimming pool or spa. Damage, defect, malfunctions or any use which does not comply with the operator instructions, are excluded. Damage or any failure caused by repair, which is done by anyone other than a Water Tech authorized service center, shall not be covered.

The motor housing is a factory sealed unit. The warranty will be considered void if opened by a non-authorized service center.

To validate this warranty: the enclosed WARRANTY REGISTRATION CARD must be mailed within ten days of purchase. No warranty service will be performed unless Water Tech has received the WARRANTY REGISTRATION CARD.

The warranty obligations of Water Tech shall be limited to repair or replacement of the product. Water Tech, Inc. shall not be liable or responsible under any circumstances or in any amount for consequential or incidental damages, or for injury or damages to persons or property using or used in connection with the product or for loss of profits or other costs or expenses of any kind of character. There are no other warranties or representations by Water Tech other than as set forth herein, either expressed or implied and no person, firm or corporation is authorized to make any representation or honor any obligation in the name or on behalf of Water Tech except as stated herein.

TABLE OF CONTENTS

Note from Water Tech	2
Important Tips	3
Service & Important Safeguards	4
Product Specifications/Diagram	6
Setting Up Your Cleaner	7
Using Your Cleaner	8
Using a Standard Pool Pole	9
Cleaning the Filter Bag	10
Common Questions	11
Warranty	12

COMMON QUESTIONS

Q: *Can my cleaner be run out of water?*

A: Yes, for a short period of time when you turn it on before submerging into your pool or spa. We recommend you turn the cleaner on just before submerging.

Q: *When I am cleaning my pool, how do I know when the cleaner is out of battery power?*

A: Most people can feel the cleaner is running through vibration in the vacuum pole. To be sure, you can lift it out of the water to hear if it is running or not.

Q: *How often should I clean out my cleaner filter bag?*

A: It is advisable to clean out your filter bag after each use, or whenever you notice the performance of your cleaner declining. For easy cleaning, the filter bag can be turned inside out and rinsed with a hose or in a sink. Do not wash it in a washing machine or with detergent. For more detailed instructions, see "Cleaning Your cleaner" instructions in this manual.

Q: *Where can I buy replacement parts?*

A: Look for original Water Tech replacement parts at your local retailer, visit www.PoolBroom.com, or call 1-800-298-8800 for more details.

Q: *Can I leave the cleaner in the pool when not in use?*

A: No. The cleaner should be removed from the pool and stored in a clean, dry place when not in use. This will increase the life of your cleaner and its accessories.

Q: *Can I leave the batteries in the cleaner all the time?*

A: For long term storage, it is best to remove batteries from chamber. For day-to-day use, you can leave the batteries in the cleaner. It is a good idea to periodically check the battery chamber for moisture and drain/air out if necessary.

Q: *How can I prevent sand and silt from escaping through the filter bag?*

A: A fine mesh vacuum bag, part no. BRFM, is available to purchase. Contact your retailer, visit www.PoolBroom.com, or call us at 1-800-298-8800.

Q: *What do I do if my cleaner does not vacuum?*

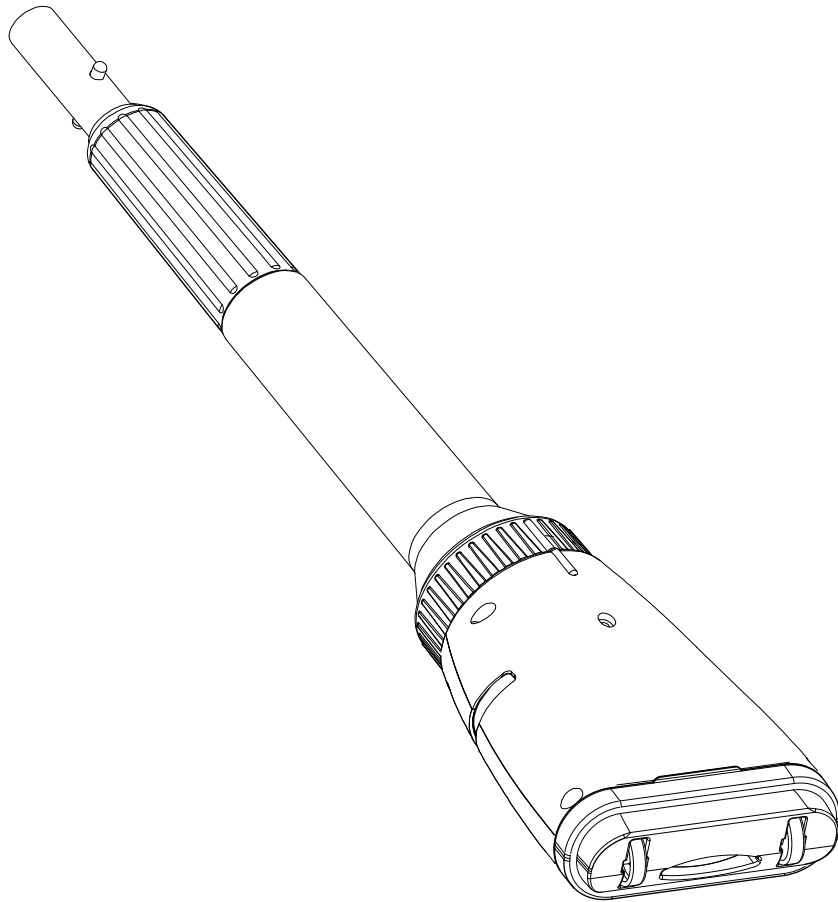
A: Make sure your cleaner is completely submerged in the water. The cleaner is only designed to vacuum water and will not vacuum air.

Check the following:

Make sure the filter bag and head cover are clear of debris that may be obstructing water flow.

Make sure the cleaner is turned on.

If none of the above help resolve the situation, please call our Customer Service Division at 1-800-298-8800.



CONGRATULATIONS on your purchase of a top-quality Water Tech product, which has been thoroughly tested to meet our exacting quality control standards.

These guidelines and safeguards help insure that your new cleaner operates effectively. Please read all instructions carefully before using your cleaner.

CLEANING THE REUSABLE FILTER BAG

For maximum cleaning efficiency, the filter bag/seal ring should be checked, emptied and cleaned after each use or whenever you notice the performance of your cleaner declining.

To clean the filter bag

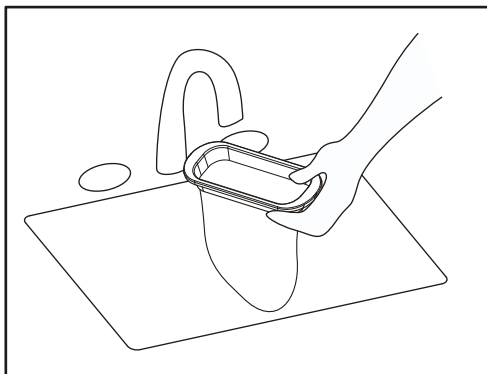
Make sure the unit is off before changing the filter or performing any other routine maintenance.

Remove the filter bag/seal by pulling firmly on the head cover

Invert the filter bag and rinse it with a garden hose or in a sink. Note: DO NOT clean in a washing machine or with detergent.

Re-insert the filter bag when finished and reattach head cover.

Note: Your reusable filter bag should be replaced if the seal ring is worn or if the bag is torn



⚠ WARNING: Using your cleaner without the filter bag/seal in place will cause blockages in your machine and void your warranty.

⚠ WARNING: When servicing user serviceable parts, use only identical Water Tech replacement parts. Use of any other parts may create a hazard or cause product damage.

IMPORTANT TIPS

NOTE: When not in use, your cleaner should be stored **indoors**, in a clean dry location sheltered from direct sunlight, extreme temperatures, and rain. Do not store the cleaner in a garage or anywhere the unit could freeze.

You may clean the cleaner body with soap and water. Avoid using solvents when cleaning plastic parts. Most plastics are susceptible to damage from various types of commercial solvents and may be damaged by their use. Use a clean cloth to remove dirt, dust, oil, grease, etc.

General maintenance of your cleaner requires you to occasionally clean off the O-rings on the head and add non-curing, non-toxic, high-temp, silicon lubricant/sealant, such as Dow Corning 111. This will ensure easier turning and a watertight seal. You can order lubricant directly from Water Tech (Part No. PBLUBE) or at your local pool & spa retailer.

⚠ CAUTION

Do not at any time let brake fluids, gasoline, petroleum-based products, penetrating oils, etc. come into contact with plastic parts. They contain chemicals that can damage, weaken or destroy plastic.

⚠ WARNING

Do not attempt to modify this tool or create accessories not approved for use with this tool. Any such alteration or modification is misuse and could result in a hazardous condition leading to possible serious injury. The motor is factory sealed in the motor box and CANNOT BE REPLACED. Do not attempt in any way to destroy or disassemble motor box or any of its components. Instead, take your cleaner to an authorized service center. Failure to follow these instructions may void your warranty agreement.

SERVICE INFORMATION

NOTE: Any repairs requiring disassembly must be performed by a Water Tech Authorized Service Center. For the repair center nearest you, go to www.poolblaster.com or call us toll free at 1-800-298-8800. Unauthorized repairs will void the warranty.

SERVICE & IMPORTANT SAFEGUARDS

⚠ WARNING:

Any repairs requiring disassembly must be performed by a Water Tech Authorized Service Center. For the repair center nearest you, go to www.poolblaster.com or call us toll free at 1-800-298-8800. Unauthorized repairs will void the warranty.

⚠ WARNING:

To reduce the risk of fire, electrical shock, injury or damage to your machine:

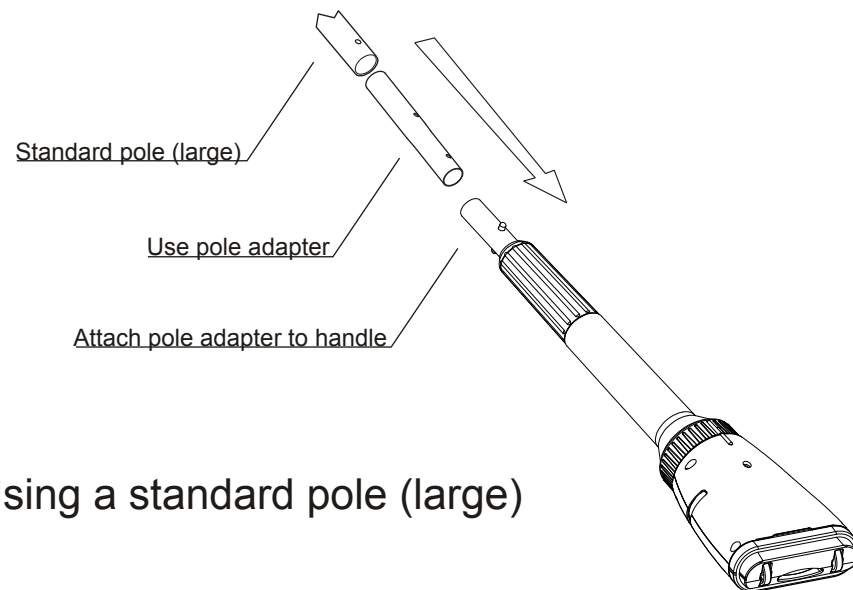
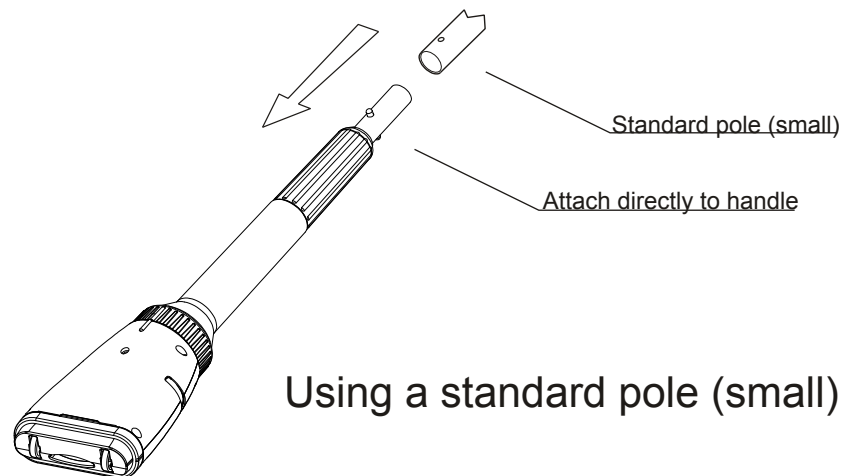
- ⚠ Opening the motor box exposes the motor components. Never let water enter here, as this will ruin your appliance and void the warranty.
- ⚠ Keep away from children.
- ⚠ Failure to comply with these warnings could result in fire and/or serious injury.
- ⚠ Do not use if unit is damaged in any way.
- ⚠ Use this product only for its intended use as described in this manual. Use only Water Tech accessories and filters.
- ⚠ NEVER LEAVE YOUR POOL BROOM IN WATER WHEN IT IS OFF OR HAS RUN OUT OF BATTERY POWER.
- ⚠ Do not use your cleaner for pool openings; the cleaner is designed for general maintenance of your pool or spa.
- ⚠ The cleaner is designed for underwater use only. Do not attempt to use your cleaner to clean anything other than your pool or spa. It is not intended for use as an all-purpose vacuum cleaner.
- ⚠ Close supervision is necessary when used near children. Do not allow this vacuum cleaner to be used as a toy.
- ⚠ This vacuum creates suction. Keep hair, loose clothing, fingers, and all parts of body away from openings and moving parts.

USING A STANDARD POOL POLE

The handle on your cleaner is designed to accommodate any standard pole. Small poles (1" diameter) can be attached directly to the pool broom. If your pole has a larger (1 1/4") diameter, use the pole adapter included with your cleaner.

To attach a pole, simply press down on the alignment pins. Aligning the holes, slide the pole through the cuff, onto the cleaner, and release the clip.

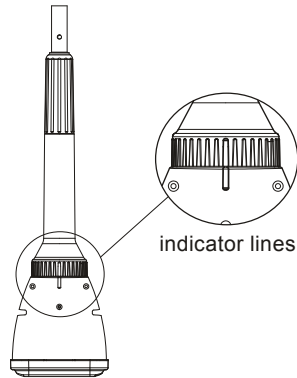
WARNING: DO NOT LEAN ON POLE OR USE POLE TO SUPPORT WEIGHT



USING YOUR CLEANER

The Pool/Spa Cleaner is designed for general cleaning in all types of pools and spas. Use with caution for heavy cleaning - do not attempt to vacuum up large or sharp objects. The removable filter bag should be inspected and cleaned after each use.

Bring your cleaner to the side of the pool or spa and turn it on. The Pool/Spa Cleaner is in the "on" position when the head is rotated fully and the two indicator lines on the head and neck match up. **This must be done outside of the water before it is submerged.** Once the cleaner is on it can be completely submerged in water and is ready for use.



It is very important to make sure the unit is sealed and in the on position before submerging. **Do not submerge the unit until indicator lines meet.** Your cleaner should never be left in the water when off, as leakage can occur.

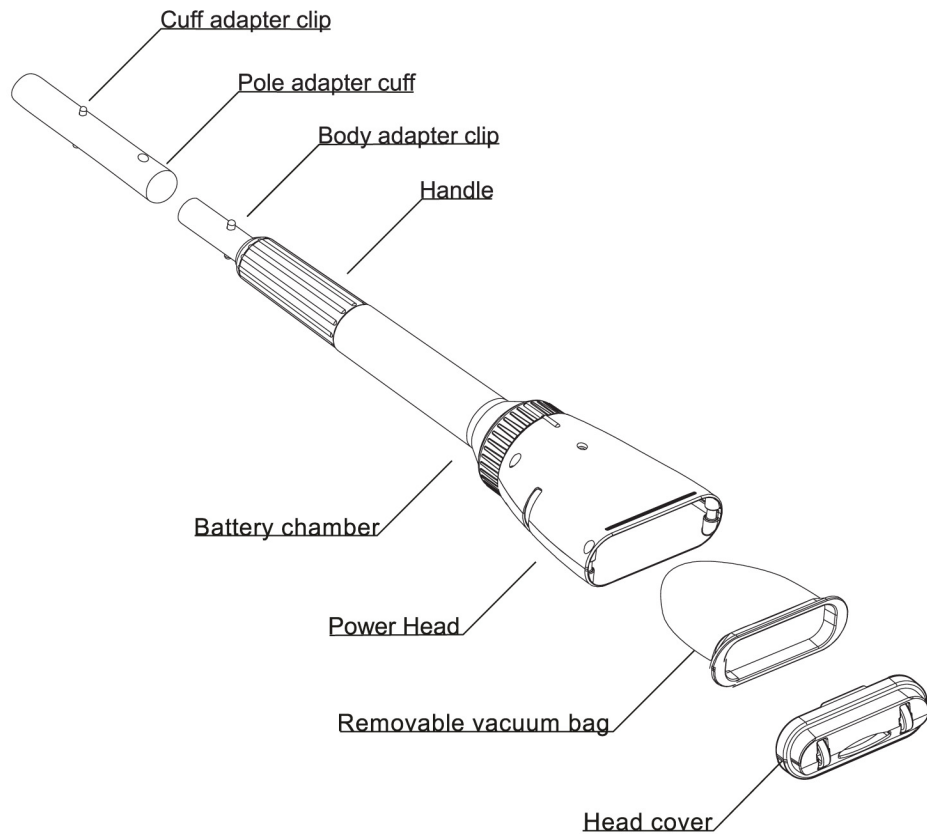
NOTE: The cleaner is only designed to vacuum water and will not vacuum air. The cleaner will only work when completely submerged in water.

STORAGE:

A certain amount of space is left open in the Pool/Spa Cleaner body in order to ventilate and cool the motor and batteries. From time to time, water may enter the unit. It is very important to drain the unit completely between uses.

To store the Pool/Spa Cleaner, remove power head from battery chamber. Invert battery chamber to make sure any water in chamber is drained. (Hold batteries in place with your thumb so they don't fall out.) Leave power head and battery chamber separated until next use. For best care, remove batteries from chamber after each use.

- ⚠ Unit must be submerged in water to operate properly.
- ⚠ When not in use, store the Pool Broom **indoors**, in a clean, dry place. Do not leave underwater, in direct sunlight, or exposed to extreme temperatures.
- ⚠ For long term storage, remove batteries from your Pool Broom. Never leave batteries in Pool Broom for extended periods.
- ⚠ Do not use without vacuum bag and head cover in place.
- ⚠ Replace damaged filter bags promptly.
- ⚠ Avoid picking up hard, sharp objects with the vacuum. They may damage the vacuum and the filter bag.
- ⚠ Do not use to pick up toxic substances, flammable or combustible liquids such as gasoline, or operate in the presence of explosive or flammable fumes.
- ⚠ Never insert or drop any object into any opening on the device. Keep all openings free of leaves, rocks or anything that may reduce water flow.
- ⚠ Use extra care when cleaning on stairs.
- ⚠ Make sure the Pool Broom is in the 'off' position before cleaning or any other routine maintenance.
- ⚠ If vacuum cleaner is not working as it should, or has been dropped or damaged in any way, return it to a service center before using. Call 1-800-298-8800 or visit www.poolblaster.com for a center nearest you.
- ⚠ Leaks from a battery cell can occur under extreme conditions. If the battery liquid gets on the skin, wash immediately with water. If it gets in your eyes, immediately flush your eyes with a mild solution of baking soda and water and seek medical attention.



PRODUCT SPECIFICATIONS

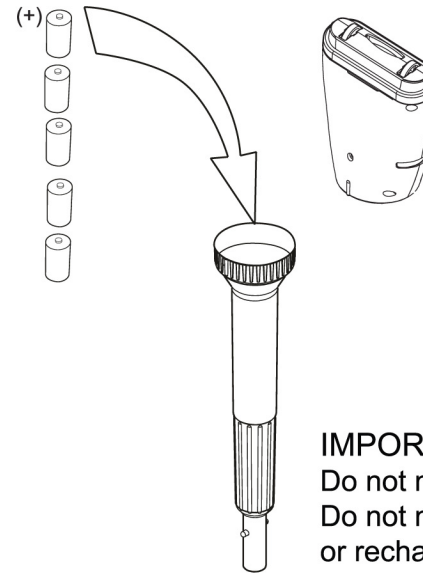
Item no.	Description	Qty.
BRHC	Head cover	1
BRAP	All-purpose filter bag	1
BRHD	Power head	1
BRBC	Battery chamber	1
BRBAC	Body adapter clip	1
BRPAC	Pole adapter clip	1
BRPACF	Pole adapter cuff	1
PBW022MF	Microfilter bag	2

ADDITIONAL AVAILABLE PARTS

Fine mesh vacuum bag, Part No. BRFM is available. To purchase, contact your retailer, visit www.poolblaster.com, or call us toll free at 1-800-298-8800.

SETTING UP YOUR CLEANER FOR USE

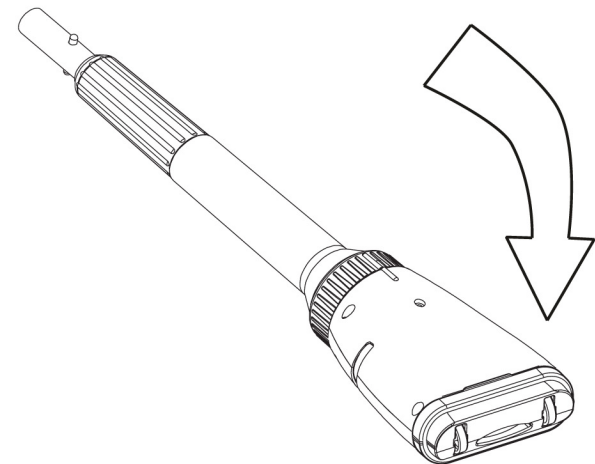
Your Pool/Spa Cleaner uses five D size batteries. To insert batteries, turn cleaner upside down. Remove head by gripping and turning counterclockwise. Insert batteries, **positive ends facing up** (towards head). Replace head on battery chamber and turn clockwise.



IMPORTANT:

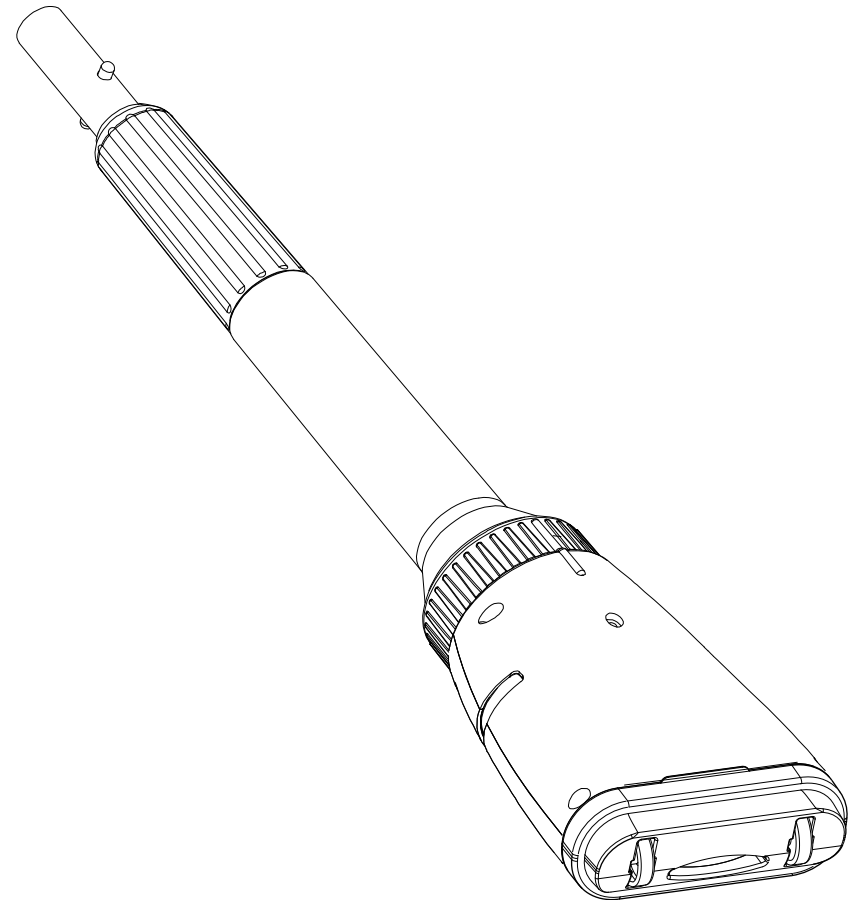
Do not mix old and new batteries.
Do not mix alkaline, standard (Carbon-zinc) or rechargeable (Nickel-cadmium) batteries.

Check tightness of head cover and filter bag/seal. You are now ready to use the Pool/Spa cleaner in your pool or spa.





MANUAL DE USO Y MANTENIMIENTO DEL
ASPIRADOR DE PISCINAS Y SPAS™



Water Tech, LLC
44 West Ferris St.
East Brunswick NJ 08816
USA

Número gratuito (EE. UU.): (800) 298-8800
(+1-732-967-9888 desde fuera de EE. UU.)

info@WaterTechCorp.com
www.WaterTechCorp.com

**IMPORTANTE:
NO DEVUELVA ESTE PRODUCTO A LA TIENDA**

Si tiene algún problema o alguna pregunta acerca del producto, póngase en contacto con el Departamento de Atención al Cliente en el +1-732-967-9888 o visite www.poolblaster.com.

Water Tech garantiza este producto durante un año contra defectos en sus materiales o en su fabricación, siempre que se le dé un uso normal y que se realicen las reparaciones necesarias, y sujeto a las condiciones y a los límites que se describen a continuación.

Piezas que no están cubiertas por la garantía: la bolsa del filtro y la cubierta del cabezal no están cubiertos por la garantía, puesto que son piezas que deben reemplazarse en el transcurso de la vida del aparato debido al normal desgaste.

Esta garantía cubre únicamente el uso normal del aspirador en una piscina o spa residencial. Se excluyen los daños, defectos o desperfectos causados por un uso indebido de este aparato, o cuando no se hayan seguido las instrucciones de la empresa fabricante. Tampoco se cubrirán los daños o averías derivados de una reparación llevada a cabo por alguien no perteneciente a un centro de servicios autorizado de Water Tech.

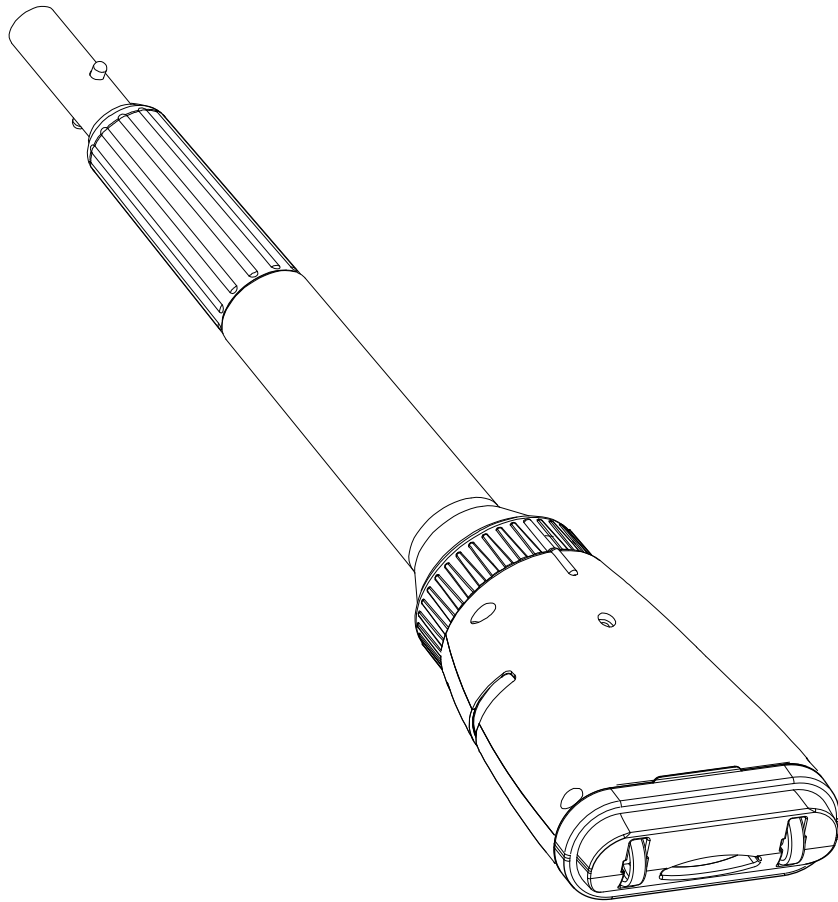
La caja del motor es una unidad que viene sellada de fábrica. La garantía quedará anulada si esa caja es abierta por un centro de servicios no autorizado.

Para validar esta garantía: debe enviar por correo la TARJETA DE INSCRIPCIÓN DE LA GARANTÍA adjunta en un plazo de 10 días a partir de la fecha de compra. No se llevará a cabo ninguna reparación cubierta por garantía a menos que Water Tech haya recibido la TARJETA DE INSCRIPCIÓN DE LA GARANTÍA.

Las obligaciones de Water Tech conforme a la garantía se limitarán a la reparación o el reemplazo del producto. Water Tech, Inc. no asumirá bajo ninguna circunstancia ni por ninguna cantidad responsabilidad alguna por daños intrascendentes o fortuitos o por lesiones o daños a personas o propiedades relacionados con el uso de este producto ni por la pérdida de ganancias ni por otros costes o gastos de cualquier clase o naturaleza. Water Tech no ofrece otras garantías ni promesas explícitas o implícitas, aparte de las estipuladas en este manual y ninguna persona, empresa o compañía está autorizada a otorgar garantías o a contraer obligaciones en nombre de Water Tech, salvo lo estipulado en este documento.

Nota de Water Tech	2
Consejos importantes	3
Reparaciones y medidas de seguridad	4
Especificaciones del producto/Diagrama	6
Montaje del aspirador	7
Utilización del aspirador	8
Uso de una pértiga de piscina estándar	9
Limpieza de la bolsa del filtro	10
Preguntas frecuentes	11
Garantía	12

PREGUNTAS FRECUENTES



FELICIDADES por haber adquirido un producto de Water Tech de máxima calidad; este aparato ha sido sometido a minuciosas pruebas para cumplir nuestras rigurosas normas de control de calidad.

Estas normas y medidas de seguridad que le sugerimos que tome contribuyen a garantizar que su nuevo aspirador funcione con la máxima eficacia. Por favor, lea detenidamente todas las instrucciones antes de comenzar a utilizar su aspirador.

P: ¿Puede funcionar el aspirador fuera del agua?

R: Sí, durante un breve periodo de tiempo; cuando usted lo enciende justo antes de sumergirlo en la piscina o en el spa. Le recomendamos que encienda el aspirador justo antes de sumergirlo en el agua.

P: Cuando estoy limpiando la piscina, ¿cómo puedo saber si el aspirador se está quedando sin batería?

R: La mayoría de las gente nota que el aspirador está funcionando porque nota las vibraciones en la pértiga del aspirador. Para estar seguro, puede sacar el aspirador del agua un momento para escuchar si está funcionando o no.

P: ¿Con qué frecuencia debo limpiar la bolsa del filtro?

R: Es recomendable limpiar la bolsa del filtro después de cada uso, o siempre que usted note que el rendimiento de su aspirador está decayendo. Para que sea más fácil limpiarla, puede volver la bolsa del filtro del revés (para tener más fácil acceso a su interior) y limpiarla con una manguera o en el fregadero. No la lave en la lavadora ni la limpie con detergente. Encontrará instrucciones más detalladas en la sección "Limpieza del aspirador" de este manual.

P: ¿Dónde puedo comprar piezas de repuesto?

R: Busque las piezas de repuesto originales de Water Tech en su tienda habitual, visite www.PoolBlaster.com o llame al +1-732-967-9888 para obtener información más detallada.

P: ¿Puedo dejar el aspirador dentro de la piscina cuando no lo esté usando?

R: No. Se debe sacar el aspirador de la piscina y guardarlo en un lugar limpio y seco cuando no se esté utilizando. De esta forma aumentará la vida útil del aspirador y de sus accesorios.

P: Cuando no lo esté usando, ¿puedo dejar las pilas en el aspirador todo el tiempo?

R: Si no va a utilizar el aspirador de piscinas/spas durante un largo periodo de tiempo, es mejor que saque las pilas del compartimento. Si va a utilizar el aspirador de manera cotidiana (a menudo), puede dejar las pilas en el aspirador. Es recomendable revisar periódicamente el compartimento de las pilas, secándolo bien en caso de que detecte la presencia de humedad.

P: ¿Cómo puedo impedir que la arena y el limo (lodo) se escapen a través de la bolsa del filtro?

R: Puede adquirir bolsas de aspirador de malla fina, Parte N° BRFM. Póngase en contacto con su tienda habitual, visite www.PoolBlaster.com, o llámenos al +1-732-967-9888.

P: ¿Qué hago si veo que el aspirador ya no aspira?

R: Asegúrese de que el aspirador está completamente sumergido en el agua. El aspirador está diseñado para aspirar únicamente agua, no siendo capaz de aspirar aire.

Compruebe lo siguiente:

Asegúrese de que no haya ningún tipo de residuos ni en la bolsa del filtro ni en la cubierta del cabezal que pudieran estar obstruyendo la circulación del agua.

Compruebe que el aspirador está encendido.

Si ninguna de las soluciones propuestas resuelve el problema, llame por favor a nuestro Departamento de Atención al Cliente en el +1-732-967-9888.

LIMPIEZA DE LA BOLSA DEL FILTRO

Para lograr la máxima eficiencia de limpieza, es preciso revisar, vaciar y limpiar la bolsa del filtro/anillo de junta después de cada uso o siempre que usted note que el rendimiento de su aspirador esté decayendo.

Limpiéza de la bolsa del filtro

Asegúrese de que la unidad está apagada antes de proceder a cambiar el filtro o de realizar cualquier otra labor de mantenimiento de rutina.

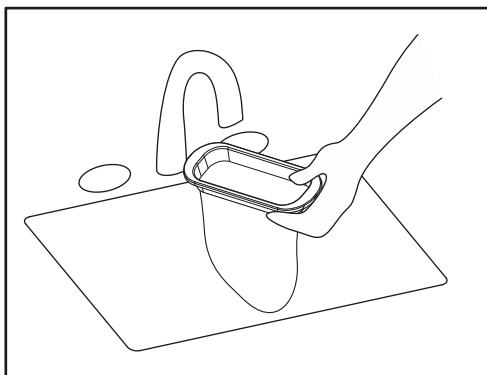
Quite la bolsa del filtro/anillo de junta; para ello, tire firmemente de la cubierta del cabezal.

Vuelva del revés la bolsa del filtro (para tener más fácil acceso a su interior) y límpiela con una manguera de jardín o en el fregadero.

Nota: NO lo lave en la lavadora ni lo limpie con detergente.

Cuando haya terminado, vuelva a meter la bolsa del filtro en su lugar y ponga la cubierta del cabezal.

Nota: Debe reemplazar la bolsa del filtro reutilizable por una nueva si ve que el anillo de junta está desgastado o si la bolsa está rota.



⚠ ADVERTENCIA: Usar el aspirador sin haber colocado la bolsa del filtro/anillo de junta correctamente en su sitio causará obstrucciones en el aparato y anulará la garantía.

⚠ ADVERTENCIA: Cuando lleve a arreglar las piezas susceptibles de ser reparadas, use únicamente piezas de repuesto de Water Tech idénticas a las originales. El uso de cualquier otra pieza puede suponer un riesgo y podría dañar el producto.

CONSEJOS IMPORTANTES

NOTA: Cuando no vaya a utilizar el aspirador, guárdelo dentro de casa en un lugar limpio y seco y protegido de la luz solar directa, las temperaturas extremas y la lluvia. No guarde el aspirador en un garaje o en algún otro lugar donde pudiera congelarse.

Puede limpiar el cuerpo del aspirador con agua y jabón. Evite utilizar disolventes para limpiar las piezas de plástico. La mayoría de los materiales plásticos pueden dañarse al contacto con los disolventes que se venden en las tiendas. Use un trapo limpio para eliminar restos de suciedad, polvo, aceite, grasa, etc.

El mantenimiento general del aspirador requiere la limpieza ocasional de las juntas tóricas (también llamados anillos tóricos) del cabezal, y la posterior aplicación de un lubricante o material de sellado de silicona no-curado, que no sea tóxico y que sea válido para altas temperaturas, como el Dow Corning 111. De esta manera se podrá girar con mayor facilidad, logrando además un cierre hermético. Puede encargar el lubricante directamente a Water Tech (Parte N° PBLUBE) o en su tienda especializada en piscinas y spas habitual.

⚠ ATENCIÓN

Nunca permita que entren en contacto con las piezas de plástico materiales tales como líquido de frenos, gasolina, productos derivados del petróleo, aceites penetrantes, etc. Tales sustancias contienen productos químicos que pueden dañar, debilitar o destruir el plástico.

⚠ ADVERTENCIA

No intente modificar esta herramienta ni intente crear accesorios que no estén aprobados para su uso con esta herramienta. Tales alteraciones o modificaciones constituyen una mala utilización del aparato y pueden causar situaciones peligrosas que podrían acarrear lesiones de gravedad. El motor viene sellado de fábrica en la caja del motor y NO PUEDE REEMPLAZARSE. No intente de ninguna manera destruir o desarmar la caja del motor o cualquiera de sus componentes. Por el contrario, lleve su aspirador a un centro de servicios autorizado. Si no sigue estas instrucciones, su garantía podría quedar anulada.

INFORMACIÓN SOBRE REPARACIONES

NOTA: Todas las reparaciones que requieran desmontar la unidad deben ser realizadas por un Centro de Servicios Autorizado de Water Tech. Para saber cuál es el taller de reparación más cercano, visite www.PoolBlaster.com o llámenos al +1-732-967-9888. Las reparaciones no autorizadas anularán la garantía.

REPARACIONES Y MEDIDAS DE SEGURIDAD

⚠️ ADVERTENCIA:

Todas las reparaciones que requieran desmontar la unidad deben ser realizadas por un Centro de Servicios Autorizado de Water Tech. Para saber cuál es el taller de reparación más cercano, visite www.PoolBlaster.com o llámenos al +1-732-967-9888. Las reparaciones no autorizadas anularán la garantía.

⚠️ ADVERTENCIA:

Para minimizar el riesgo de incendios, descargas eléctricas, lesiones o de daños a la máquina:

⚠️ Al abrir la caja del motor quedan al descubierto las distintas componentes del motor. Nunca permita que entre agua en este compartimento; esto hará que se estropee el aparato y anulará la garantía.

⚠️ Mantenga este aparato fuera del alcance de los niños.

⚠️ Si no respeta estas advertencias se podría producir un incendio y/o provocar graves lesiones.

⚠️ No utilice la unidad si está dañada, sea cual sea el tipo de avería.

⚠️ Use este producto únicamente para la finalidad prevista, según se describe en este manual. Utilice únicamente los filtros y accesorios de Water Tech.

⚠️ NUNCA DEJE EL ASPIRADOR DE PISCINAS/SPAS EN EL AGUA CUANDO ESTÉ APAGADO ("OFF") O CUANDO SE LE HAYA ACABADO LA BATERÍA.

⚠️ No utilice el aspirador para limpiar la piscina al inicio de la temporada; este aparato está diseñado sólo para el mantenimiento general de su piscina o spa.

⚠️ El aspirador está diseñado para uso exclusivamente subacuático. No intente usar el aspirador para limpiar algo que no sea su piscina o su spa. No está diseñado para utilizarse como aspirador multiuso.

⚠️ Es necesario vigilar atentamente el aparato mientras se esté utilizando y haya niños cerca. No permita que este aspirador se utilice como juguete.

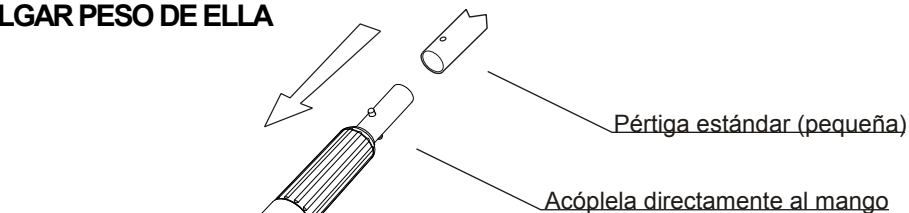
⚠️ Este aspirador genera una fuerza de succión. Así pues, mantenga el cabello, las ropas holgadas, los dedos y todas las partes del cuerpo lejos de las aberturas y de las piezas móviles de este aparato.

USO DE UNA PÉRTIGA DE PISCINA ESTÁNDAR

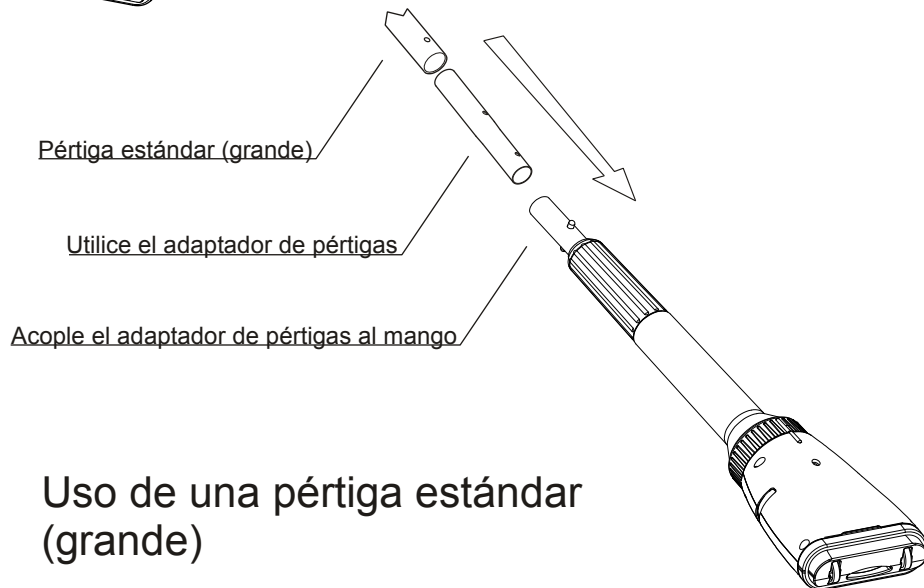
El mango del aspirador está diseñado para poder adaptar cualquier tipo de pértiga (tubo de prolongación) estándar. Las pértigas pequeñas (de 2,54 cm / 1 pulgada de diámetro) se pueden acoplar directamente al aspirador. Si su pértiga es de un diámetro mayor (1,25 pulgadas; aproximadamente equivalente a 3,2 cm), utilice el adaptador de pértigas incluido junto con el aspirador.

Para acoplar una pértiga, simplemente presione los botones de anclaje y alineación. Alinee los orificios, deslice la pértiga a través del orificio de acoplo hasta el aspirador, y suelte el cierre.

ADVERTENCIA: NO SE APOYE EN LA PÉRTIGA NI LA UTILICE PARA COLGAR PESO DE ELLA



Uso de una pértiga estándar (pequeña)

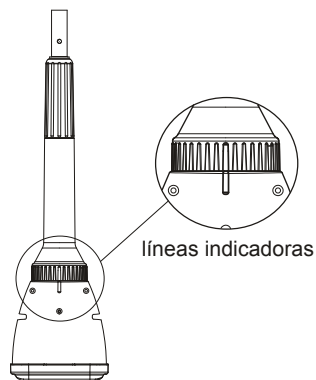


Uso de una pértiga estándar (grande)

FUNCIONAMIENTO DEL ASPIRADOR

El aspirador de piscinas/spas está diseñado para la limpieza general de todo tipo de piscinas o spas. Utilícelo con precaución en situaciones de extrema suciedad; no trate de aspirar objetos grandes o afilados. Es conveniente revisar y limpiar la bolsa del filtro después de cada uso.

Coloque el aspirador en el borde de la piscina o del spa y enciéndalo. El aspirador de piscinas y spas se encuentra en la posición de encendido ('ON') cuando se ha girado enteramente el cabezal y las dos líneas indicadoras (una en el cabezal y otra en el cuello del aspirador) están alineadas. **Esto hay que hacerlo fuera del agua, antes de sumergir el aspirador.** Una vez encendido el aspirador, ya se puede sumergir completamente en el agua, puesto que ya está listo para ser utilizado.



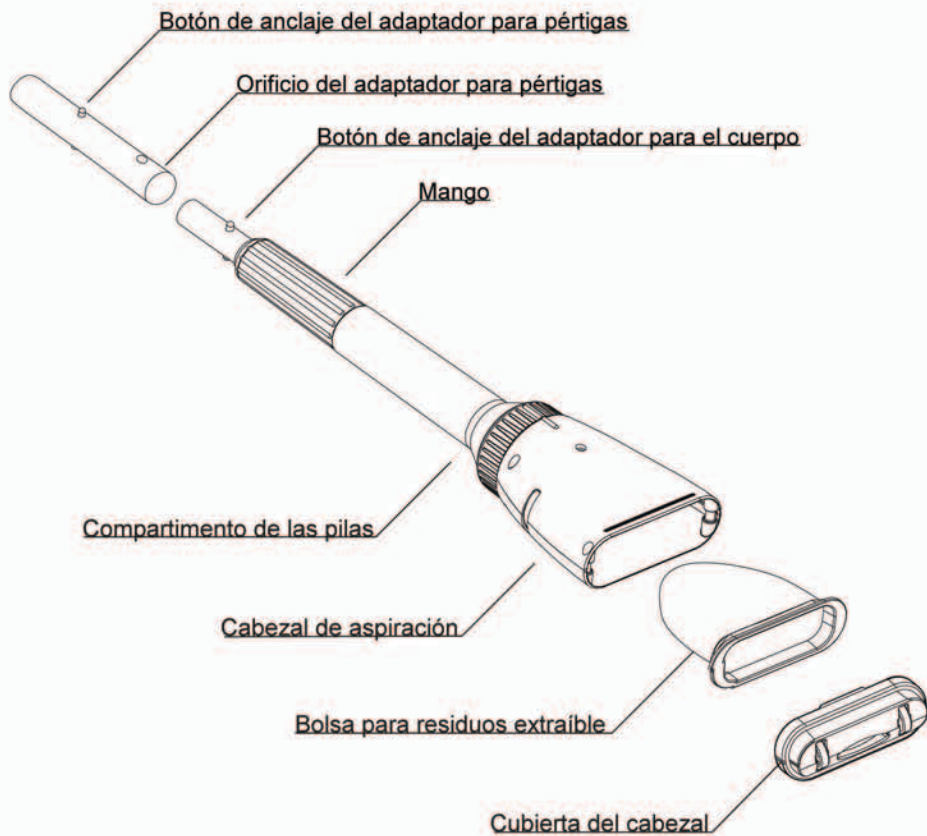
Es muy importante asegurarse de que la unidad está sellada y que se encuentra en la posición de encendido antes de proceder a sumergirla. **No sumerja la unidad hasta que las líneas indicadoras estén alineadas.** No debe dejar nunca el aspirador apagado dentro el agua, porque puede haber filtraciones.

NOTA: El aspirador está diseñado para aspirar únicamente agua, no siendo capaz de aspirar aire. Este aspirador funcionará únicamente si está sumergido por completo en el agua.

ALMACENAMIENTO:

Para favorecer una ventilación adecuada y permitir que se enfríen las pilas y el sistema motor, se deja abierto un pequeño espacio en el cuerpo del aspirador de piscinas y spas. Es posible que penetre ocasionalmente algo de agua en la unidad. Es muy importante dejar que la unidad se seque completamente después de cada uso. Antes de guardar el aspirador de piscinas y spas, separe el cabezal de aspiración del compartimento de las pilas. Ponga el compartimento de las pilas boca abajo para estar seguro de eliminar cualquier resto de agua que haya podido quedar en el compartimento. (Para evitar que las pilas se caigan, sujételas con el pulgar.) Deje el cabezal de aspiración y el compartimento de las pilas separados hasta la próxima vez que utilice el aspirador. Para un cuidado óptimo, saque las pilas del compartimento después de cada uso.

- ⚠ La unidad debe estar sumergida en agua para que funcione correctamente.
- ⚠ Cuando no lo esté usando, guarde el aspirador de piscinas/spas dentro de casa, en un lugar limpio y seco. No lo deje dentro del agua, ni bajo la luz del sol directa, ni tampoco expuesto a temperaturas extremas.
- ⚠ Si no va a utilizar el aspirador de piscinas/spas durante un largo periodo de tiempo, quite las pilas. No deje las pilas puestas durante periodos prolongados.
- ⚠ No lo utilice si la bolsa para residuos del aspirador y la cubierta del cabezal no están colocadas correctamente.
- ⚠ Si se estropea la bolsa del filtro, reemplácela inmediatamente.
- ⚠ Evite recoger objetos duros o puntiagudos con el aspirador. Podrían estropear tanto el aspirador como la bolsa del filtro.
- ⚠ Tampoco lo utilice para recoger sustancias tóxicas o inflamables o líquidos combustibles, como gasolina, ni lo ponga en funcionamiento cerca de vapores o gases explosivos o inflamables.
- ⚠ Nunca meta o deje caer ningún tipo de objeto por las aberturas del aparato. Mantenga todas las aberturas del aparato libres de hojas, piedras o cualquier otra cosa que pueda obstruir la circulación del agua.
- ⚠ Tenga un cuidado especial cuando lo utilice para limpiar escaleras.
- ⚠ Asegúrese de que su aspirador de piscinas/spas está apagado (posición 'OFF') antes de limpiarlo o de llevar a cabo cualquier otra labor de mantenimiento de rutina.
- ⚠ Si el aspirador no funciona como debiera, o si se ha caído o ha sufrido algún tipo de daño, llévelo a un centro de servicios para que lo examinen antes de volver a utilizarlo. Llame al +1-732-967-9888 o visite www.PoolBlaster.com para saber dónde se encuentra el centro de servicios más cercano.
- ⚠ En condiciones extremas, puede haber fugas en la celda de la batería. Si el líquido de la batería entra en contacto con la piel, lávela inmediatamente con agua. Si se le mete en los ojos, lávelos inmediatamente con una solución suave de bicarbonato sódico y agua y busque atención médica.



ESPECIFICACIONES DEL PRODUCTO

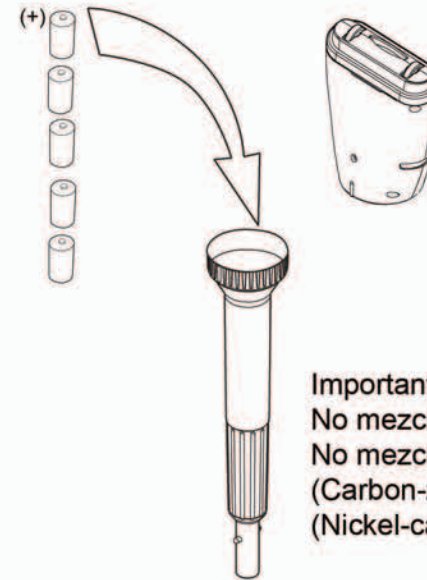
Artículo no.	Descripción	Cantidad
BRHC	Cubierta del cabezal	1
BRAP	Bolsa de filtro multiuso	1
BRHD	Cabezal de aspiración	1
BRBC	Compartimento de las pilas	1
BRBAC	Botón de anclaje del adaptador para el cuerpo	1
BRPAC	Botón de anclaje del adaptador para pértigas	1
BRPACF	Orificio del adaptador para pértigas	1
PBW022MF	Bolsa de filtro micro	2

PARTES ADICIONALES DISPONIBLES

Bolsa para residuos de malla fina, Parte N° BRFM está disponible. Para adquirirla, póngase en contacto con su tienda habitual, visite www.poolblaster.com, o llámenos al +1-732-967-9888.

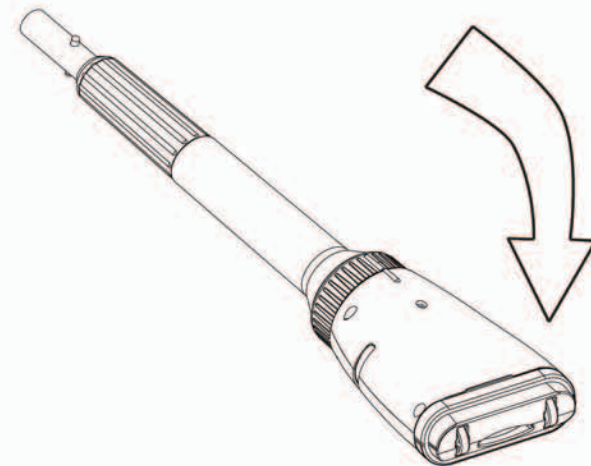
MONTAJE DEL ASPIRADOR PARA SU UTILIZACIÓN

El aspirador de piscinas/spas usa cinco pilas de tamaño D. Para meter las pilas, ponga el aspirador boca abajo. Quite el cabezal; para ello, sujételo y gírelo en sentido contrario de las agujas del reloj. Meta las pilas, con **los polos positivos hacia arriba** (hacia el cabezal). Vuelva a colocar el cabezal sobre el compartimento de las pilas y gírelo en sentido de las agujas del reloj.



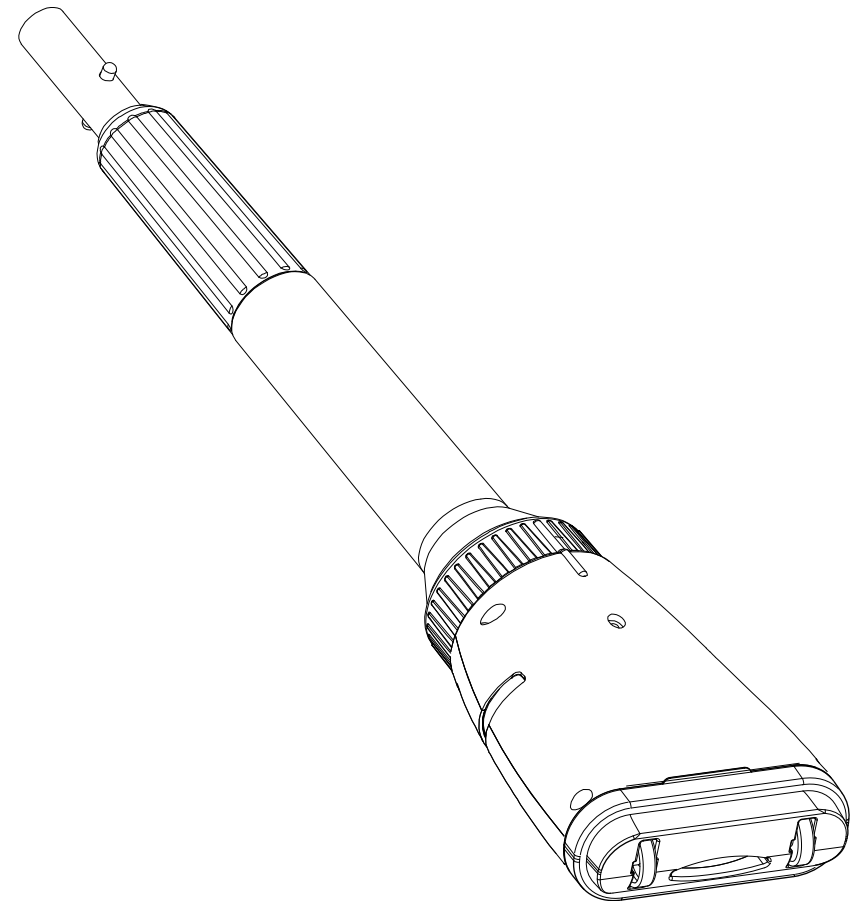
Importante:
 No mezclar pilas viejas y nuevas
 No mezclar pilas alcalinas, estándar (Carbon-zinc), o recargables (Nickel-cadmium).

Compruebe que tanto la cubierta del cabezal como la bolsa del filtro/anillo de junta están bien ajustados y apretados. Ya está todo listo para comenzar a utilizar el aspirador de piscinas/spas en su piscina o spa.





ASPIRATEUR POUR PISCINE/SPA™
MODE D'EMPLOI ET GUIDE D'ENTRETIEN



Water Tech, LLC
44 West Ferris St.
East Brunswick NJ 08816
USA

Tél : +1-732-967-9888

info@WaterTechCorp.com
www.WaterTechCorp.com

IMPORTANT :
NE PAS RENVOYER CE PRODUIT AU POINT DE VENTE

En cas de problème ou de question concernant ce produit, contacter le service après-vente Water Tech au +1-732-967-9888 ou visitez le site www.poolblaster.com.

Water Tech garantit ce produit pendant une durée d'un an contre tout défaut de matériau et de main-d'œuvre lorsqu'il est utilisé et entretenu de façon normale, sous réserve des conditions et des limitations décrites ci-dessous.

Pièces non couvertes par la garantie : le sac filtrant et la tête ne sont pas garantis, car ces éléments doivent être remplacés dans le cadre d'une utilisation conforme au mode d'emploi en raison d'une usure normale.

La présente garantie ne couvre le produit que dans le cadre d'une utilisation normale pour une piscine ou un spa de jardin. Les dommages, défauts ou dysfonctionnements ou tout usage non conforme au mode d'emploi sont exclus. Tout dommage ou dysfonctionnement découlant d'une réparation effectuée par quiconque en dehors d'un service après-vente agréé par Water Tech n'est pas couvert.

Le boîtier moteur est scellé en usine. La garantie sera considérée nulle s'il est ouvert par le technicien d'un service après-vente non agréé.

Validation de la garantie : envoyer LA FICHE D'ENREGISTREMENT DE GARANTIE dans les dix jours suivant l'achat. Aucune intervention au titre de la garantie ne sera effectuée si Water Tech n'a pas reçu cette fiche.

Les obligations de Water Tech au titre de la garantie seront limitées à la réparation ou au remplacement du produit. Water Tech, Inc. ne saurait être responsable, en aucun cas et quel que soit le montant du préjudice, de tout dommage indirect ou accessoire, de toute blessure ou de tout dommage matériel survenu dans le cadre de l'utilisation du produit, et ne saurait être non plus responsable de tout manque à gagner ou de tout frais de quelque nature que ce soit. Water Tech n'avance aucune autre garantie ni déclaration autre que celles qui sont susmentionnées, qu'elle soit expresse ou implicite, et aucune personne physique ni morale n'est autorisée à faire des déclarations ou assumer une obligation au nom ou pour le compte de Water Tech sauf dans les conditions stipulées dans la présente.

Quelques mots de la part de Water Tech 2
Conseils importants3
Dépannage et consignes de sécurité importantes 4
Caractéristiques du produit/schéma6
Préparation de l'aspirateur 7
Utilisation de l'aspirateur 8
Utilisation d'une perche de piscine standard 9
Nettoyage du sac filtrant 10
Questions courantes 11
Garantie 12

QUESTIONS COURANTES

Q : *L'aspirateur peut-il fonctionner hors de l'eau ?*

R : Oui, pendant un court instant, lorsqu'on le met en marche avant de l'immerger. Nous conseillons de le mettre en marche juste avant de l'immerger.

Q : *Lors du nettoyage de la piscine ou du spa, comment savoir si les piles sont déchargées ?*

R : La plupart des utilisateurs savent que l'aspirateur fonctionne grâce aux vibrations le long de la perche. Pour en être certain, le sortir de l'eau pour entendre le moteur.

Q : *A quelle fréquence doit-on laver le sac filtrant ?*

R : Il est conseillé de le nettoyer après chaque utilisation ou dès que l'aspirateur semble moins bien fonctionner. Pour faciliter le nettoyage, retourner le sac et le rincer à l'aide d'un tuyau d'arrosage ou dans un lavabo. Ne pas le laver à la machine ou avec un produit à lessive. Pour de plus amples conseils, voir la procédure << Nettoyage de l'aspirateur >> dans ce manuel.

Q : *Où se procurer des pièces de rechange ?*

R : Se procurer des pièces de rechange Water Tech auprès d'un détaillant. Visiter le site www.PoolBlaster.com ou appeler le +1-732-967-9888 pour de plus amples détails.

Q : *Peut-on laisser l'aspirateur sous l'eau entre deux utilisations ?*

R : Non. Sortir l'aspirateur de l'eau et le ranger dans un endroit propre et sec. Cela permettra de prolonger la vie de l'aspirateur et de ses accessoires.

Q : *Peut-on laisser en permanence les piles dans l'aspirateur ?*

R : En cas de stockage prolongé, il est préférable de les retirer de leur compartiment. En cas d'usage quotidien, les laisser dans l'aspirateur. Il est conseillé de vérifier régulièrement le compartiment à piles pour détecter toute présence d'eau et le purger ou l'aérer au besoin.

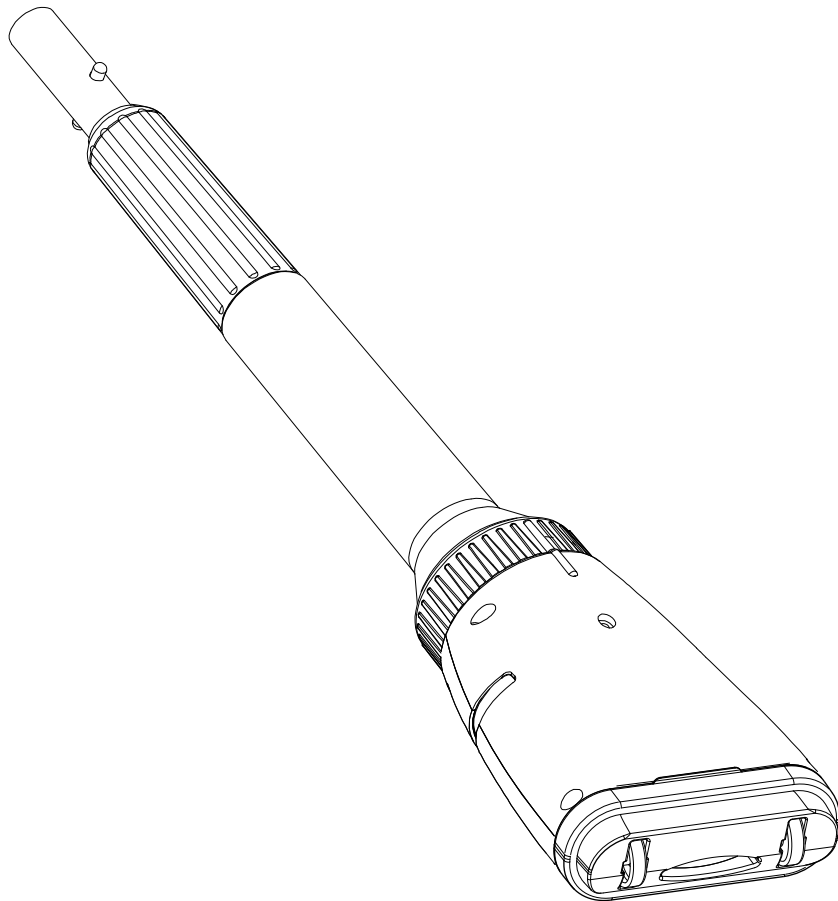
Q : *Comment empêcher le sable et la boue de s'échapper du sac filtrant ?*

R : Un sac à aspirateur à maille fine (réf. BRFM) est disponible dans le commerce. S'adresser à un détaillant, visiter le site www.PoolBlaster.com ou appeler le +1-732-967-9888.

Q : *Que faire si l'aspirateur ne fonctionne pas ?*

R : S'assurer que l'aspirateur est complètement immergé. L'aspirateur est conçu pour aspirer de l'eau et non de l'air.
Procéder aux vérifications suivantes :
S'assurer que le sac filtrant et la tête sont exempts de tout débris susceptible d'entraver l'écoulement de l'eau.
S'assurer que l'aspirateur est en marche.

Si le problème persiste, appeler notre service clientèle au +1-732-967-9888.



FELICITATIONS, vous venez de vous procurer un produit Water Tech de la plus haute qualité, lequel a fait l'objet de nombreux essais conformément à nos strictes normes de contrôle.

Ces conseils et consignes de sécurité garantiront un bon fonctionnement de l'appareil. Veuillez lire le manuel dans son intégralité avant d'utiliser l'aspirateur.

NETTOYAGE DU SAC FILTRANT

Pour un nettoyage optimum, inspecter, vider et nettoyer le sac filtrant/joint d'étanchéité après chaque utilisation ou dès que l'aspirateur semble moins bien fonctionner.

Nettoyage du sac filtrant

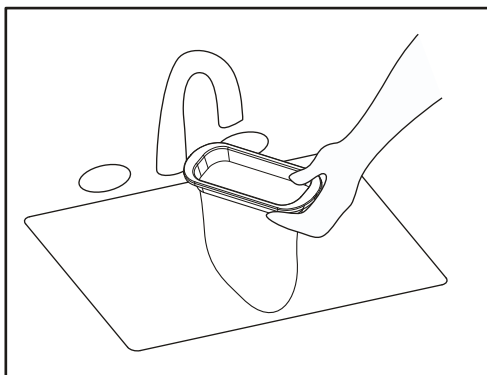
S'assurer que l'aspirateur est à l'arrêt avant de remplacer le filtre ou de procéder à une intervention d'entretien régulier.

Retirer le sac filtrant/joint d'étanchéité en tirant fermement sur la tête.

Retourner le sac et le rincer à l'aide d'un tuyau d'arrosage ou dans un lavabo. Remarque : NE PAS le laver à la machine ou avec un produit à lessive.

Le réinsérer une fois nettoyé et refixer la tête.

Remarque : remplacer le sac filtrant s'il est déchiré ou si le joint d'étanchéité est usé.



⚠ AVERTISSEMENT : ne pas utiliser l'aspirateur sans sac filtrant/joint d'étanchéité sous peine de provoquer un dysfonctionnement et d'annuler la garantie.

⚠ AVERTISSEMENT : ne remplacer les pièces remplaçables par l'utilisateur qu'avec des pièces de rechange Water Tech. L'utilisation de pièces de rechange d'autres marques pourrait créer un danger ou provoquer le dysfonctionnement de l'aspirateur.

CONSEILS IMPORTANTS

REMARQUE : entre deux utilisations, ranger l'aspirateur à l'intérieur, dans un endroit propre et sec à l'abri des rayons du soleil, des températures extrêmes et de la pluie. Ne pas le ranger dans un garage ou dans un endroit où il risquerait de geler.

Le corps de l'aspirateur se nettoie à l'eau et au savon. Eviter de nettoyer les pièces en plastique avec du solvant. La plupart des plastiques peuvent s'abîmer au contact de différents types de solvants disponibles sur le marché. Utiliser un linge propre pour éliminer toute trace de saleté, poussière, huile, graisse, etc.

Pour un entretien général, nettoyer régulièrement les joints toriques de la tête d'aspiration et appliquer un lubrifiant/produit d'étanchéité à base de silicone ne séchant pas, non toxique et résistant à haute température tel que Dow Corning 111. Ainsi, les joints pivoteront mieux et l'étanchéité sera meilleure. Du lubrifiant est disponible directement auprès de Water Tech (réf. PBLUBE) et chez les détaillants de produits pour piscine et spa.

⚠ ATTENTION

Empêcher les pièces en plastique d'entrer en contact avec du liquide de frein, de l'essence, des produits à base de pétrole ou des huiles pénétrantes. Ceux-ci contiennent des agents chimiques susceptibles d'endommager, de fragiliser ou de détruire le plastique.

⚠ AVERTISSEMENT

Ne pas tenter de modifier cet appareil ou de créer des accessoires non homologués. Toute altération ou modification constitue un usage abusif et pourrait créer un risque de blessure grave. Le moteur a été scellé en usine dans son boîtier et NE PEUT PAS ETRE REMPLACÉ. Ne pas tenter de quelque manière que ce soit de détruire ou de démonter le boîtier ou l'un de ses composants. En cas de problème, s'adresser à un service après-vente agréé. Le non-respect de ces consignes pourrait annuler le contrat de garantie.

DEPANNAGE

REMARQUE : toute réparation nécessitant un démontage doit être confiée à un service après-vente agréé par Water Tech. Pour trouver le service après-vente le plus proche, aller sur le site www.PoolBlaster.com ou appeler le +1-732-967-9888. Toute réparation non autorisée annulera la garantie.

⚠ AVERTISSEMENT :

Toute réparation nécessitant un démontage doit être confiée à un service après-vente agréé par Water Tech. Pour trouver le service après-vente le plus proche, aller sur le site www.PoolBlaster.com ou appeler le +1-732-967-9888. Toute réparation non autorisée annulera la garantie.

⚠ AVERTISSEMENT :

Pour éviter tout risque d'incendie, de choc électrique, de blessure ou de dommage matériel :

⚠ Les composants du moteur sont exposés lorsque le boîtier moteur est ouvert. Eviter que de l'eau pénètre dans le boîtier sous peine d'endommager l'appareil et d'annuler la garantie.

⚠ Garder hors de la portée des enfants.

⚠ Le non-respect de ses avertissements pourrait entraîner un risque d'incendie et/ou de blessure grave.

⚠ Ne pas utiliser l'appareil s'il est endommagé de quelque façon que ce soit.

⚠ Utiliser uniquement l'appareil conformément au mode d'emploi. N'utiliser que des accessoires et des filtres Water Tech.

⚠ NE JAMAIS LAISSER L'ASPIRATEUR DANS L'EAU LORSQU'IL EST A L'ARRET OU LORSQUE LES PILES SONT DECHARGEES.

⚠ Ne pas utiliser l'aspirateur pour nettoyer les buses de refoulement. Celui-ci est conçu pour l'entretien général des piscines et des spas.

⚠ L'aspirateur est conçu pour être utilisé sous l'eau uniquement. Ne pas tenter de l'utiliser pour nettoyer autre chose qu'une piscine ou un spa. Ce n'est pas un aspirateur tout usage.

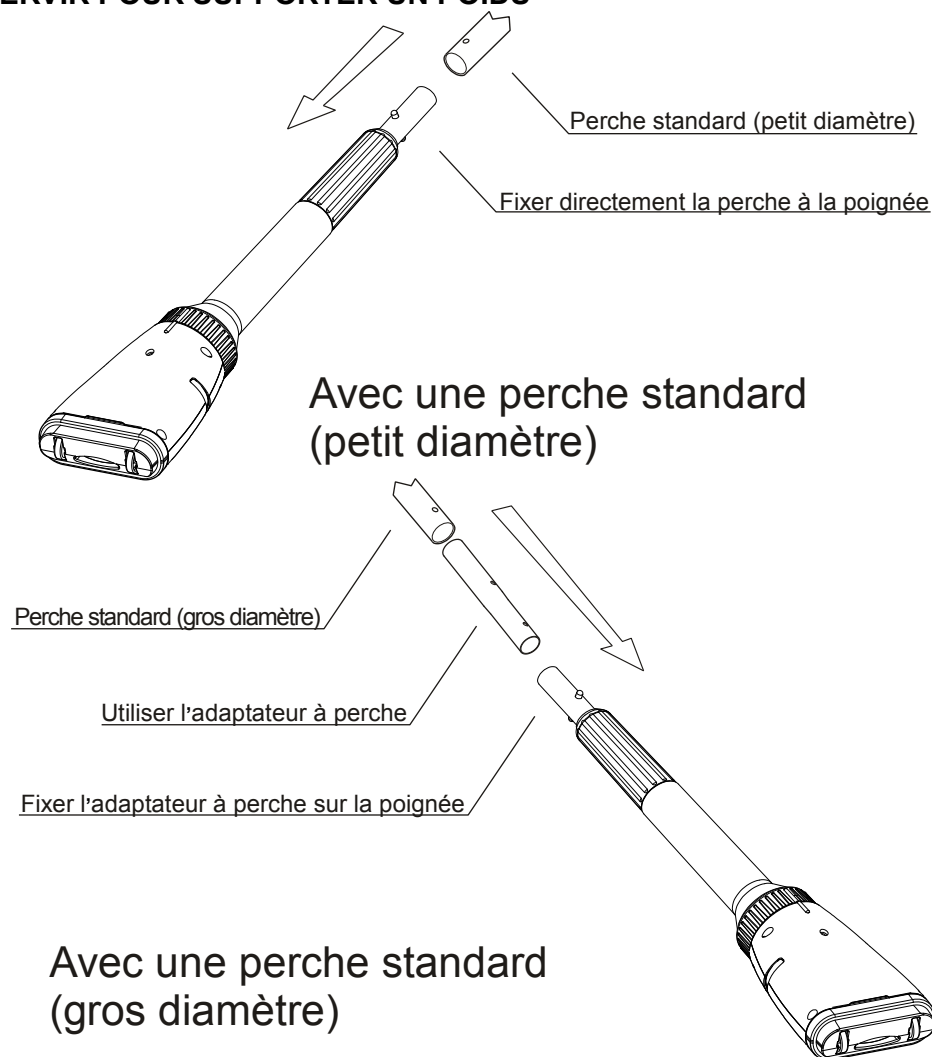
⚠ Faire très attention en présence d'enfants. Cet aspirateur n'est pas un jouet.

⚠ Il provoque un phénomène d'aspiration. Garder les cheveux, les vêtements amples, les doigts et toute partie du corps à l'écart des ouvertures et des pièces mobiles.

Le manche de l'aspirateur est conçu pour s'adapter à toute perche standard. Les petites perches (2,5 cm de diamètre) se fixent directement. Si la perche a un plus gros diamètre (3 cm), utiliser l'adaptateur à perche fourni avec l'aspirateur.

Pour fixer une perche, pousser tout simplement les ergots d'alignement vers le bas. Une fois les trous alignés, faire glisser la perche dans l'adaptateur, sur l'aspirateur, puis lâcher le clip.

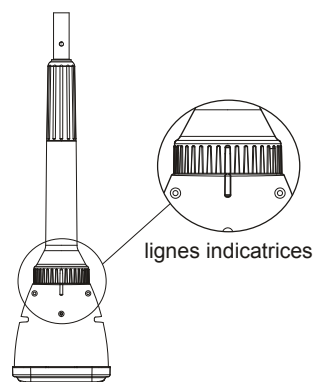
AVERTISSEMENT : NE PAS S'APPUYER SUR LA PERCHE OU S'EN SERVIR POUR SUPPORTER UN POIDS



UTILISATION DE L'ASPIRATEUR

L'aspirateur est conçu pour le nettoyage général de tout type de piscine et de spa. Faire attention lors des gros nettoyages — ne pas tenter d'aspirer de larges objets ou des objets pointus ou tranchants. Inspecter et nettoyer le sac filtrant amovible après chaque utilisation.

Poser l'aspirateur près du bord de la piscine ou du spa et le mettre en marche. Celui-ci est marche lorsque la tête est complètement pivotée et que les deux lignes indicatrices situées sur la tête et la partie entonnoir sont alignées. **Procéder à cette étape hors de l'eau.** Une fois l'aspirateur en marche, il est prêt à l'emploi et peut être entièrement immergé.



S'assurer impérativement que l'appareil est étanche et en position de marche avant de l'immerger. **Ne pas l'immerger avant que les lignes indicatrices ne soient alignées.** Ne jamais laisser l'aspirateur dans l'eau lorsqu'il est à l'arrêt, car cela pourrait provoquer des fuites.

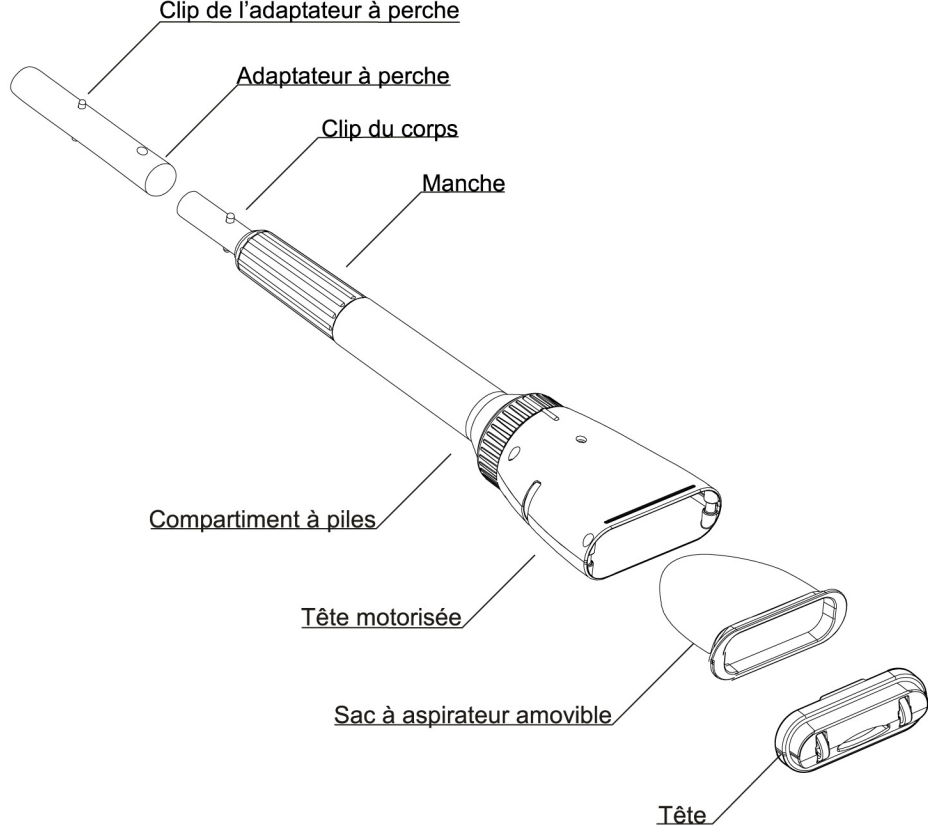
REMARQUE : l'aspirateur est conçu pour aspirer de l'eau et non de l'air. Il ne fonctionnera que s'il est complètement immergé.

STOCKAGE :

Un volume mort est prévu à l'intérieur du corps de l'aspirateur pour ventiler et refroidir le moteur et les piles. Il arrive de temps à autre que de l'eau pénètre dans l'appareil. Veiller à le vidanger complètement entre deux utilisations.

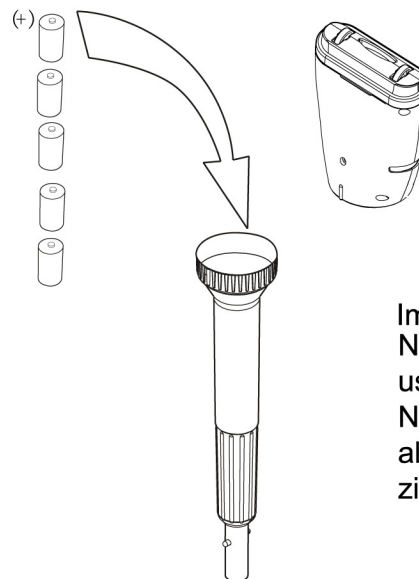
Dégager la tête motorisée du compartiment à piles avant de ranger l'aspirateur. Retourner le compartiment à piles pour faire couler l'eau éventuellement présente. (Retenir les piles avec le pouce pour les empêcher de tomber.) Laisser la tête et le compartiment à piles séparés jusqu'à la prochaine utilisation. Dans l'idéal, retirer les piles après chaque utilisation.

- ⚠ Pour fonctionner correctement, l'appareil doit être immergé dans l'eau.
- ⚠ Entre deux utilisations, le ranger à l'intérieur, dans un endroit propre et sec. Ne pas le laisser immergé, exposé aux rayons du soleil ou à des températures extrêmes.
- ⚠ En cas de période d'inutilisation prolongée, retirer les piles. Ne jamais laisser les piles longtemps dans leur compartiment.
- ⚠ Ne pas utiliser l'appareil si le sac d'aspiration et la tête ne sont pas installés.
- ⚠ Remplacer immédiatement les sacs filtrants endommagés.
- ⚠ Éviter de ramasser des objets durs et pointus ou tranchants avec l'aspirateur. Ils risqueraient d'endommager l'aspirateur et le sac filtrant.
- ⚠ Ne pas utiliser pour l'aspirateur pour aspirer des substances toxiques et des liquides inflammables ou combustibles tels que l'essence, et ne pas l'utiliser en présence de vapeurs explosives ou inflammables.
- ⚠ Ne jamais insérer ou faire tomber des objets dans les ouvertures de l'appareil. Garder toutes les ouvertures dégagées de toute feuille, tout caillou ou tout objet pouvant entraver l'écoulement de l'eau.
- ⚠ Faire très attention lors du nettoyage des marches.
- ⚠ S'assurer que l'aspirateur est à l'arrêt avant son nettoyage ou toute autre intervention d'entretien régulier.
- ⚠ Si l'aspirateur ne fonctionne pas correctement, s'il est tombé ou endommagé de quelque façon que ce soit, l'apporter à un service après-vente avant de l'utiliser à nouveau. Appeler le +1-732-967-9888 ou visiter le site www.PoolBlaster.com pour trouver le service après-vente le plus proche.
- ⚠ Du liquide de pile peut fuir en cas de conditions extrêmes. En cas de contact avec la peau, laver immédiatement à l'eau. En cas de contact avec les yeux, rincer immédiatement à grande eau avec une solution contenant un peu de bicarbonate de soude, puis consulter un médecin.



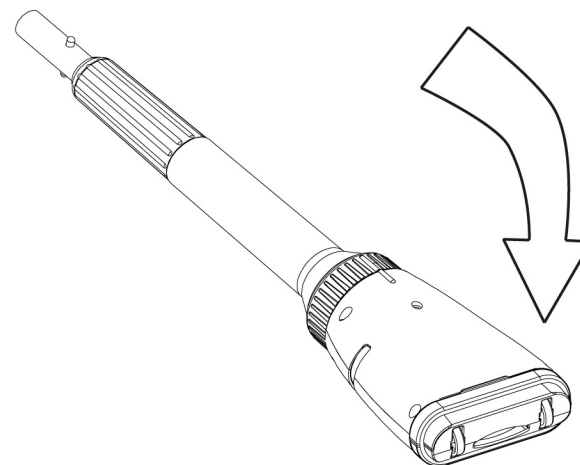
PREPARATION DE L'ASPIRATEUR

L'aspirateur fonctionne avec cinq piles D. Pour insérer les piles, tourner l'aspirateur à l'envers. Retirer la tête en la dévissant dans le sens contraire aux aiguilles d'une montre. Insérer les piles, pôle positif orienté vers le haut (vers la tête). Replacer la tête sur le compartiment à piles et la visser dans le sens des aiguilles d'une montre.



Important:
 Ne pas mélanger les batteries usagées avec des piles neuves
 Ne pas mélanger de piles alcalines, standard (carbone – zinc) ou rechargeables, entre elles

Vérifier que la tête est bien vissée sur le sac filtrant/joint d'étanchéité. L'aspirateur est maintenant prêt à l'emploi.



CARACTERISTIQUES DU PRODUIT

Réf.	Description	Qté
BRHC	Tête	1
BRAP	Sac filtrant tout usage	1
BRHD	Tête motorisée	1
BRBC	Compartiment à piles	1
BRBAC	Clip du corps	1
BRPAC	Clip de l'adaptateur à perche	1
BRPACF	Adaptateur à perche	1
PBW022MF	Sac de Microfiltration	2

AUTRES PIECES DISPONIBLES

Le sac en maille fine (réf. BRFM) est disponible. Pour toute commande, contacter le détaillant, visiter le site www.poolblaster.com ou appeler le +1-732-967-9888.